



Automatic Pool Cover Owner's Manual

This pool cover has been installed with the following features:

- Stainless Steel Cable
- Auto-shutoff
- CoverLink™ Control Pad
- Latching Strap

Please read operation instructions for these features.

Table of Contents

| | |
|---|----|
| AVOID risk of entrapment and/or DROWNING | 4 |
| PROTECT YOUR INVESTMENT | 4 |
| INSTALLATION SAFETY CHECKLIST | 4 |
| POOL SAFETY..... | 5 |
| COVER COMPONENTS..... | 6 |
| OPERATING INSTRUCTIONS..... | 7 |
| Covering the Pool | 7 |
| Uncovering the Pool..... | 7 |
| Latching Procedure (Optional)..... | 7 |
| FEATURE INSTRUCTIONS | 8 |
| REMOVING WATER ON TOP OF THE COVER..... | 9 |
| Placing the Pump on the Cover | 9 |
| BASIC MAINTENANCE..... | 10 |
| Motor | 10 |
| Water Level..... | 10 |
| Track Cleaning | 10 |
| Mechanism Cleaning | 10 |
| Replacing a Pulley | 10 |
| Lubrication | 11 |
| FABRIC MAINTENANCE AND CARE | 12 |
| Extra Slack in the Fabric | 12 |
| Debris and Obstacles..... | 12 |
| Cleaning..... | 12 |
| Repair Holes | 12 |
| Winterizing Your Cover | 12 |
| CHEMICALS AND YOUR COVER | 13 |
| Recommended Chemical Plan | 13 |
| INSPECTION PROCEDURE FOR WEAR AND DETERIORATION | 14 |
| Vinyl Cover | 14 |
| Cover Track | 14 |
| ADJUSTMENTS AND MINOR REPAIR | 14 |
| Uneven Cover Retraction..... | 14 |
| ADVANCED TROUBLESHOOTING AND REPAIR | 14 |
| Auto-Shutoff Amp Limiter Adjustment | 14 |
| EMERGENCY PROCEDURES | 15 |
| Manually Cover the Pool | 15 |
| Manually Uncover the Pool..... | 15 |
| COVERLINK™ WIRELESS CONTROL | 16 |
| Operation And Programming Instructions | 16 |
| Normal Operation..... | 17 |
| Troubleshooting Guide..... | 20 |
| PARTS DIAGRAM | 21 |

PLEASE READ AND FOLLOW ALL INSTRUCTIONS!

▲WARNING When installing and using this electrical equipment, basic safety precautions should always be followed, including the following.

1. To reduce the risk of injury, do not permit children to operate this product.
2. Remove and safely store the key after covering or uncovering your pool.
3. Turn off the electrical breaker when the cover will not be used for extended periods of time or as an added layer of protection against unauthorized operation. Always turn off the breaker before servicing the cover.

INSTALLATION SAFETY CHECKLIST

| For your benefit, double check the following items with your installer/ representative to aid in your understanding of the use of your cover. | YES | NO |
|---|-----|----|
| 1. Has a representative from the company who installed your cover explained to you the proper operation of the system? | | |
| a. Roll-up adjustment | | |
| b. Chemical application as it affects the cover | | |
| c. Authorized operation | | |
| d. Latching the cover after it is closed (optional) | | |
| e. Proper maintenance | | |
| f. Placing the cover pump in position when the cover is closed | | |
| 2. Did a representative offer you assistance on how to maintain a safer pool area? | | |
| 3. Did you receive drowning prevention information? | | |
| Please take the time with your representative to go over this list to ensure that you understand the importance of the proper use of your pool cover. | | |

▲WARNING

AVOID RISK OF ENTRAPMENT AND/OR DROWNING

- REMOVE STANDING WATER—CHILDREN CAN DROWN ON TOP OF THE COVER
- REMOVE THE COVER(S) COMPLETELY BEFORE ENTRY OF BATHERS—ENTRAPMENT IS POSSIBLE.
- NON-SECURED OR IMPROPERLY SECURED COVERS ARE A HAZARD.
- DO NOT WALK ON THE COVER EXCEPT IN AN EMERGENCY.
- FAILURE TO FOLLOW ALL INSTRUCTIONS MAY RESULT IN INJURY OR DROWNING.

SAVE-T® COVERS COMPLY WITH THE APPLICABLE REQUIREMENTS OF ASTM F1346-91, THE 'STANDARD PERFORMANCE SPECIFICATION FOR SAFETY COVERS AND LABELING REQUIREMENTS FOR ALL COVERS FOR SWIMMING POOLS, SPAS AND HOT TUBS', WHEN USED AS INSTRUCTED.

PROTECT YOUR INVESTMENT

Your automatic cover is designed to perform reliably throughout many years of daily use. Since the automatic cover is easy to use, some people allow anyone to operate it. Our experience shows that service requirements increase with the number of people who operate the cover without having received instruction. **Do not allow anyone to operate the cover unless they have been properly instructed. Never allow children to operate the cover.**

▲WARNING Do not walk on the cover except in the case of an emergency. Playing or walking on the cover

unnecessarily can cause injury and increases the risk of damage to the cover. The standard aluminum lid over the cover housing is not strong enough to walk on; to prevent damage or injury, avoid stepping on the lid. Lids may be slippery when wet. Before operating the cover, remove all objects from the spa and cover, including toys, spa cleaners, cover pumps and hoses. Be sure you have full view of the spa area when operating the cover. To reduce the risk of drowning which can result in serious injury, including loss of life, do not leave a spa partially covered.

POOL SAFETY

Thank you for your purchase of a Cover-Pools cover. Cover-Pools makes every effort to provide you with the safest product available and want to stress the following safety precautions.

Cover-Pools recommends *layers* of protection. Your cover is a reliable layer; however, you should not rely on any one layer to be fail proof.

A swimming pool can provide your family with hours of entertainment and the opportunity for healthy recreation. As a pool owner, be aware that you must ensure your child's safety. There is a risk of a child drowning when around any body of water. There is no substitute for constant adult supervision. Most drowning occurs during a five-minute-or-less lapse in supervision. By providing barriers between your child and the pool, you can avoid a tragic accident should your child momentarily slip out of sight.

Don't rely on one system—layering (pool cover, fence, alarm...) safety precautions provides the strongest safeguard.

Never leave a child alone—even for a second.

Maintain constant eye contact with your children when they are around the pool.

Do not consider young children water-safe because they have had swimming lessons. Swimming instructions for children under three years of age are not recommended.

Instruct all caretakers about potential hazards to young children in and around swimming pools and the need for constant supervision.

Train all caretakers in life-saving, cardiopulmonary resuscitation and first aid. No exceptions.

Install a telephone near the pool with emergency numbers posted.

Keep toys away from the pool when the pool is not in use. They can lure a child into the pool.

Use inflatable toys only under adult supervision. They may deflate or your child may slip off.

Post and enforce rules such as No Running, No Pushing, No Dunking, and Never Swim Alone.

Make sure you have rescue devices accessible near the pool.

Keep all doors and windows leading from the house to the pool area secure. Install self-closing mechanisms on doors.

Enclose the pool with a barrier. In fact, fencing may be required in certain areas. Check your local city or county building code for more information.

Install only child-proof, self-closing, self-latching gates around the pool.

Vertical bars on a pool fence should be no more than 3-3/4 inches apart. Avoid fences such as chain link that provide climbing footholds.

Place table and chairs well away from the pool fence to prevent children from climbing into the pool area.

Alert your pool maintenance people, utility personnel, and neighbors to keep covers, gates, and doors to pool closed and locked at all times.

Check to ensure that spa and pool covers pass minimum safety requirements set by the American Society of Testing Materials.

Never use a pool with its cover partially in place since children may become trapped under it.

Beware of a free-floating pool cover. A child can slip beneath one unnoticed.

Realize that a child can drown in as little as two inches of water. Drain standing water off of your spa or pool cover.

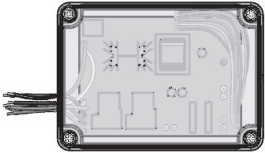
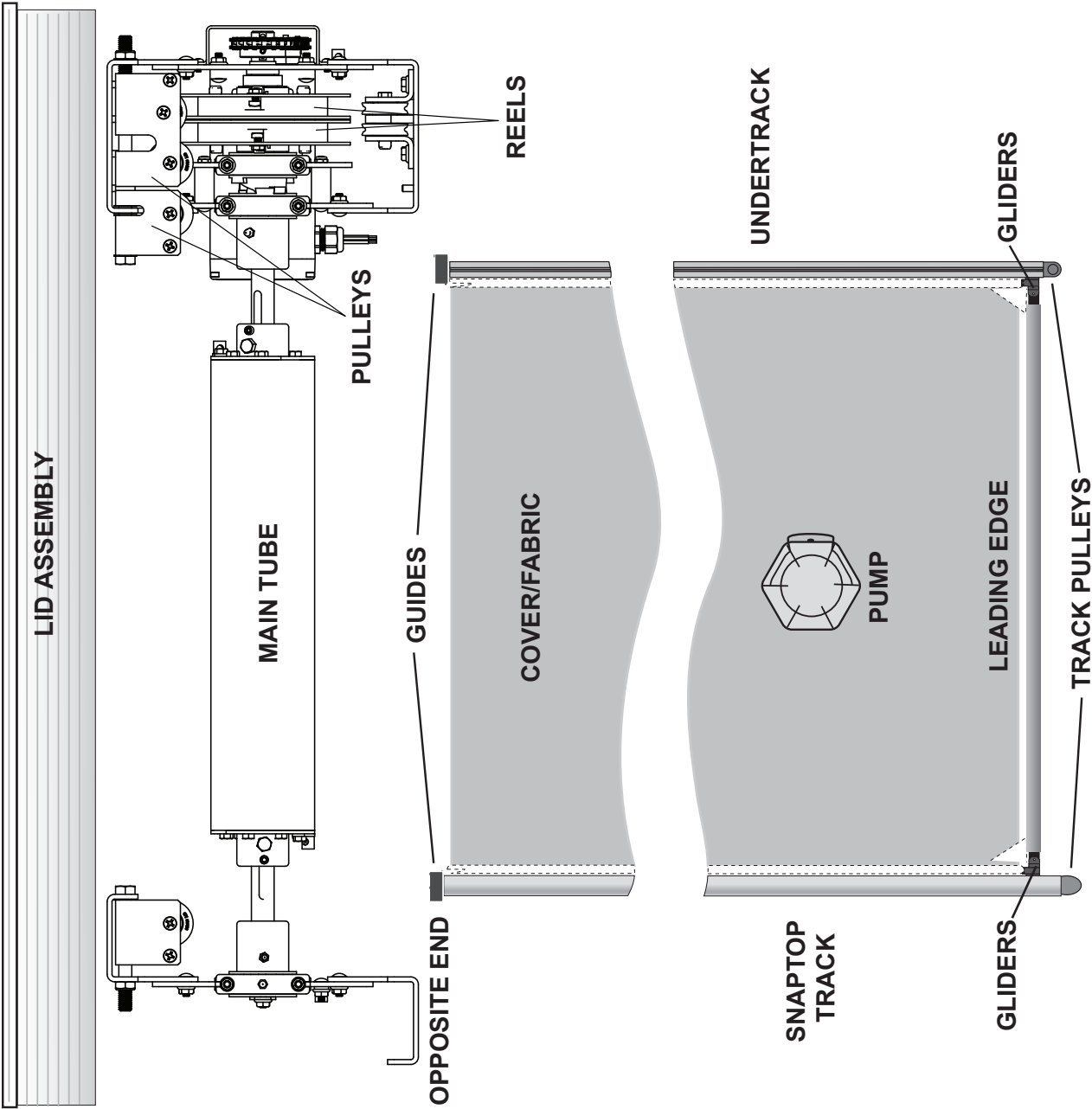
Investigate using a pool alarm and/or a monitoring system that can be worn by a child.

Remove ladders and steps from above ground pools. No objects should be in the pool area for a child to climb on and into the water.

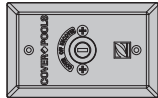
Inspect safety and pool equipment regularly. Preventive devices are only effective if they are in working order.

Sources: Drowning Prevention Society; United States Consumer Product Safety Commission; National Spa and Pool Institute's Operation Water Watch; and the American Academy of Pediatrics.

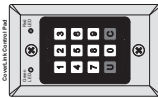
COVER COMPONENTS



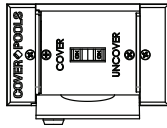
AUTO-SHUTOFF CONTROL



KEY SWITCH



COVERLINK



TOGGLE SWITCH

OPERATING INSTRUCTIONS

Covering the Pool

Remove any objects from the pool.

Toggle Switch: Open the toggle switch door with the supplied key. Move the switch up in the direction of the word “Cover” until the pool is completely covered.

Keyswitch with Auto-shutoff: The auto-shutoff keyswitch contains a safety feature that requires two turns before operating the cover.

Turn the key to “cover” or “uncover” for 1 second, briefly return to “off,” then operate the cover within 4 seconds.

If the switch is left inoperative for more than 20 seconds, it will time out and you will need to turn the key twice to reactivate it.

CoverLink™ control: Enter the four-digit PIN and press “cover” until the pool is covered.

For Undertrack Systems, release the key or control pad a few inches before the end of the pool, let the cover coast to a stop, then turn to or press “close” until the front of the cover taps the end of the pool. This “soft stop” method will improve the life of the cover and its components rather than overrunning to the end of the pool under full motor torque and having the cover hit the end.

For Universal Track Systems, run the cover up to within two to three inches of the end of the track and stop. Do not attempt to close the cover completely against the pulley castings at the end of the tracks. A convenient way to judge this is to place a stop mark on the cover, which will align with a stop mark placed on the tracks at a place where you can see it from the control.

Remove the control key from the key switch or close and lock the door of the toggle switch, and store the key in a secure location to prevent unauthorized operation of the cover. The CoverLink digital control will deactivate after 20 seconds without input.

If your pool has a latching strap, immediately latch the leading edge once the pool has been completely covered (see “Latching Procedure (Optional)” below).

Latching Procedure (Optional)

Latching: Some systems require a latching strap on the leading edge. In some circumstances a young child may be able to force their way under the cover by pulling or pushing on the leading edge. Another risk is that when weight is applied to the cover (such as from water, snow load, or a person standing on the cover), it may force the leading edge open enough to allow a child to slip through the opening.

Latching Procedure: Cover the pool. Put the pin through the grommet in the strap. Press the pin into the housing in the deck until it clicks into place.

Place the cover pump on the cover at this time (see “Placing the Pump on the Cover” on page 9.) Keep the pump on the cover whenever the pool is covered.

Uncovering the Pool

If your pool has a latching strap, unlatch the leading edge (see “Latching Procedure (Optional)” below).

Remove the cover pump and any debris that may damage the cover.

Toggle Switch: Insert the key and unlock the cover door to the toggle switch. Press the switch down in the direction of “Uncover”.

Keyswitch: Insert the key and turn it towards “uncover”. Note: If you have an auto-shutoff installed, you must turn the key twice as described in “Covering the Pool”.

CoverLink Control: Enter the four-digit PIN and press “uncover”.

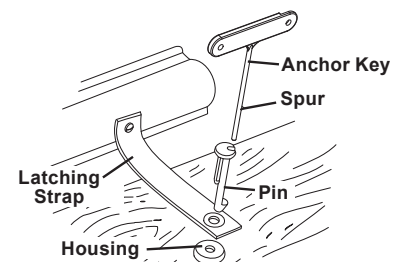
Continue to uncover the pool until the cover is within a few inches of the end of the pool. Let the cover coast to a stop, then operate the cover until the pool is completely uncovered.

Do not retract the pool cover too closely to the end of the tracks. With most undertrack models, the leading edge should rest half way across the pool end wall. On universal track models, the leading edge should stop before the mechanism housing.

▲WARNING In order to minimize the risk of drowning which can result in serious injury or loss of life, the control pad must be mounted permanently on a wall in full view of the cover. Do not remove the control pad and carry it like a portable remote. This may be a direct violation of local codes.

NOTE: Your cover should include stops to prevent it from running too far in either direction. These stops, in conjunction with the auto-shutoff, will help prevent overrunning and damaging the cover. Stopping the cover briefly before hitting the pool wall or track ends, can increase the life of the cover components.

To Remove Pin: Insert the key into the top of the pin. Line up the pin slot with the key spur. (The spur should point away from the center of the pin.) Push the key down until it stops and turn it 90 degrees. Pull up on the key to remove the pin from the housing.



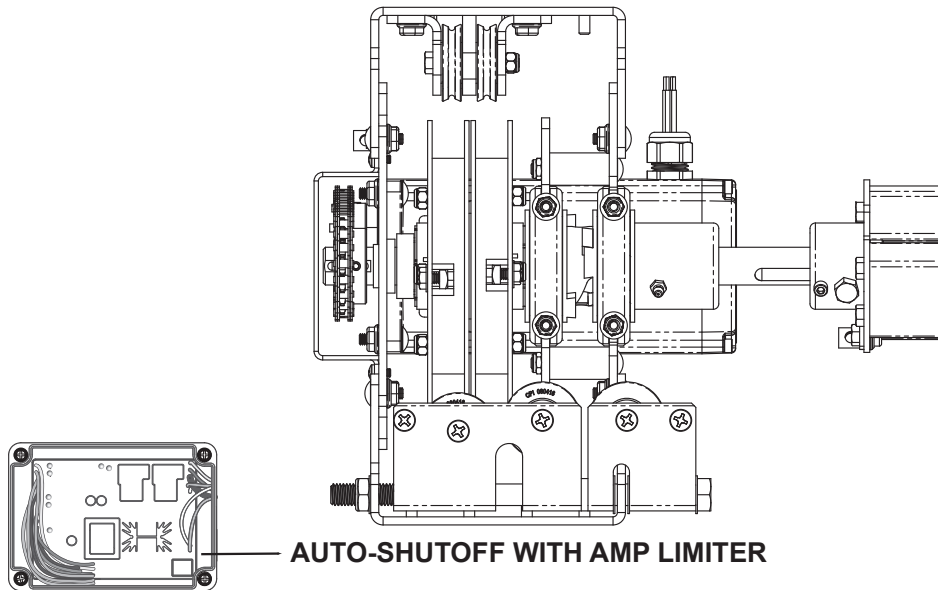
FEATURE INSTRUCTIONS

Auto-Shutoff Operation: If your cover has been installed with an auto-shutoff control, your cover will shut off automatically when it has reached the fully uncovered or covered position. This feature prevents overrunning the cover in either direction to prevent possible damage. Make sure that your cover opens and closes evenly so that your auto-shutoff will be able to operate properly. While operating the cover you may stop and reverse direction at any point between the fully opened or fully closed position.

Once the cover has shut off automatically in one direction you will only be able to run it in the opposite direction. In addition, your auto-shutoff control has an adjustable amperage stop that will turn off the motor if the pool cover meets significant resistance when it is operating.

If your cover stops running during operation there is something creating resistance, such as water on the cover, dirt or contamination in the tracks, or something damaged on the system. Remove any excess water or debris and try reversing the direction. If the cover moves, then proceed with operating the cover. If the cover will not move further in the intended direction, call your service technician or see “Auto-Shutoff Amp Limiter Adjustment” on page 14.

NOTE: If there has been a power interruption to your control, the system will not operate until power has been restored. Once power is restored, it is possible to overrun the cover if the control is operated in the wrong direction. Once the cover has been run in the correct direction for just a few feet, the shutoff sequence is restored and it will not be possible to overrun the cover.



REMOVING WATER ON TOP OF THE COVER

▲WARNING Do not let persons or pets access or play on the cover. Water which may have collected on top of the cover poses a potential risk of drowning which could result in serious injury or loss of life. Isolated puddles tend to migrate toward a depression. Persons or pets can create a depression in the cover that could be large enough to collect potentially dangerous amounts of water which can pose risk of drowning.

Standing water on top of your cover poses as great a hazard as an open pool. You have been provided with a submersible pump designed to reduce this hazard by sensing water accumulation and turning on or off automatically. Always place the pump on the cover anytime your pool is covered. Water accumulation on top of the cover can come from holes or leaks in the cover, from over-spray and misdirected sprinklers, or from rain and snow.

▲Caution Never attempt to run the cover with water on it. Damage can occur to the fabric and mechanism.

Placing the Pump on the Cover

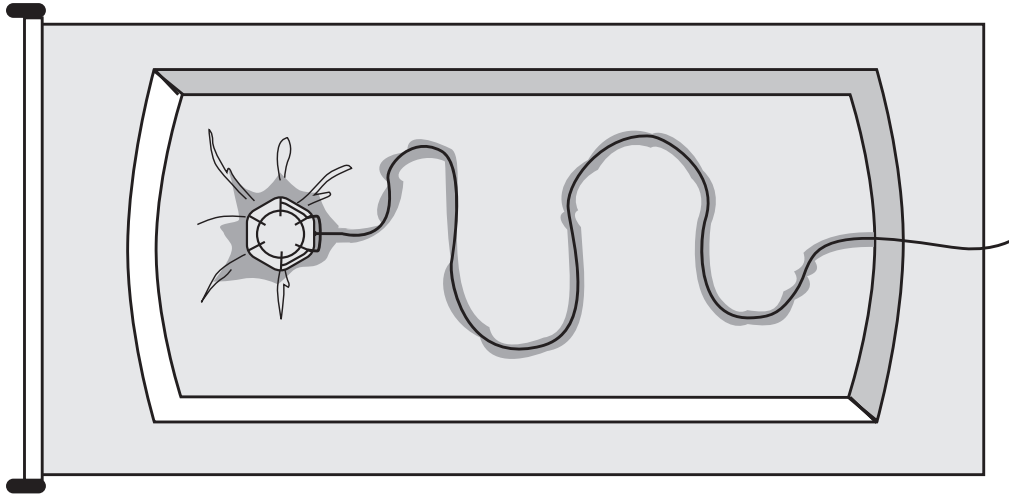
1. **Place the pump on your cover:** (1) set the pump at the side of the pool, then push it into place with a pool brush. Or, (2) stand at the lid end of the pool and place the pump on the cover as a second person closes the cover.

2. **Snake the Hose:** Snake a long discharge hose over as much of your cover as possible to create a natural channel for water to flow back to your pump (see diagram). The water will be removed as it is channelled back to your pump. Due to different shapes and construction styles of pools, the occurrence of isolated puddles of water will be specific to your cover. After you become familiar with where the puddles usually occur, you should be able to position your discharge hose so you can remove nearly all the water on your cover.

3. **Plug in the Pump:** Plug the pump into a GFCI-protected outlet.

After your pump has stopped and most of the water has been removed, the pump itself should create enough of a depression to allow continual consolidation of water.

If you plan on being away from your pool for a long period of time, you should find a neighbor or friend to check your cover frequently to make sure all standing water has been removed. Your pump can be left on the cover all winter. The pump will freeze into the ice without damage and it will activate itself as the ice melts during the winter. Make sure you keep power on to the pump and that the discharge hose is free of kinks.



▲WARNING In order to prevent the risk of drowning, fire or electric shock, which could result in property damage or serious injury, including loss of life be sure to adhere to the following:

- Plug the pump into a Ground Fault Circuit Interrupter (GFCI) - protected outlet only.
- Do not use extension cord.
- If your pump or cord becomes damaged, replace the pump immediately.
- Place the pump on the cover first; then plug in the pump.
- DO NOT stand on a wet surface while using the pump.
- Avoid contact with accumulated surface water on your cover when the pump is on the cover.
- Do not use the pump for anything other than what is specified in these instructions.
- To ensure that the automatic on/off feature operates properly, Do NOT allow the pump to tip over.
- Keep the pump clean and well-maintained at all times.

BASIC MAINTENANCE

Motor

The motor we provide is waterproof and capable of withstanding short-term submersion. However, you should not allow the motor to be submersed for periods longer than a few hours. Your system housing should have adequate means of drainage for below-deck or recessed installations. Make sure all drains remain clear. Your motor has an internal thermal overload switch. If the motor overheats to the point where the switch activates, it will reset automatically when cool.

Water Level

The ability of your cover to support any weight and operate properly is completely dependent upon maintaining the pool water at normal operating level. In many cases, the cover will not support itself if run over a low or empty pool. In addition, low water level will increase friction and prevent the cover from operating properly.

▲WARNING Severe damage to the cover may occur and a great hazard may develop if your water level is not maintained properly! (see "Winterizing Your Cover" on page 12).

Track Cleaning

The track may collect dirt and debris over a period of time. A buildup of dirt and debris can affect the operation and adjustment of your cover. If the channels in your cover track are not cleaned when necessary, the edging on your cover and the protective anodized coating on your track can wear out prematurely. To clean the track, retract the cover and spray water into the track. The water will flush out debris if sprayed down the full length of the track at close range. In most situations your track should be cleaned twice a season. For pools that are used year round, or if you are in an area that is sandy or windy, cleaning should be done more often. Never use anything but water to clean the tracks or other extrusions.

Mechanism Cleaning

Over time, dried chemicals and dirt can build up on your mechanism. If these components are not rinsed off, the buildup can become so excessive that damage can occur. We recommend rinsing the components as soon as you see a noticeable residue. The metal components of your pool cover should be rinsed off with fresh water only. The frequency will vary with the usage of the pool cover. When in doubt, it is better to rinse too frequently, than not frequently enough. When rinsing the mechanism, turn off all electricity to the cover. Make sure you have adequate drainage in your cover housing. The motor will withstand direct spray at low force. NOTE: Improper chemical balance can rapidly affect your system as well as the cover fabric. Check your water regularly to be sure it is balanced properly. Please review the rest of this manual for proper chemical balance recommendations.

Replacing a Pulley

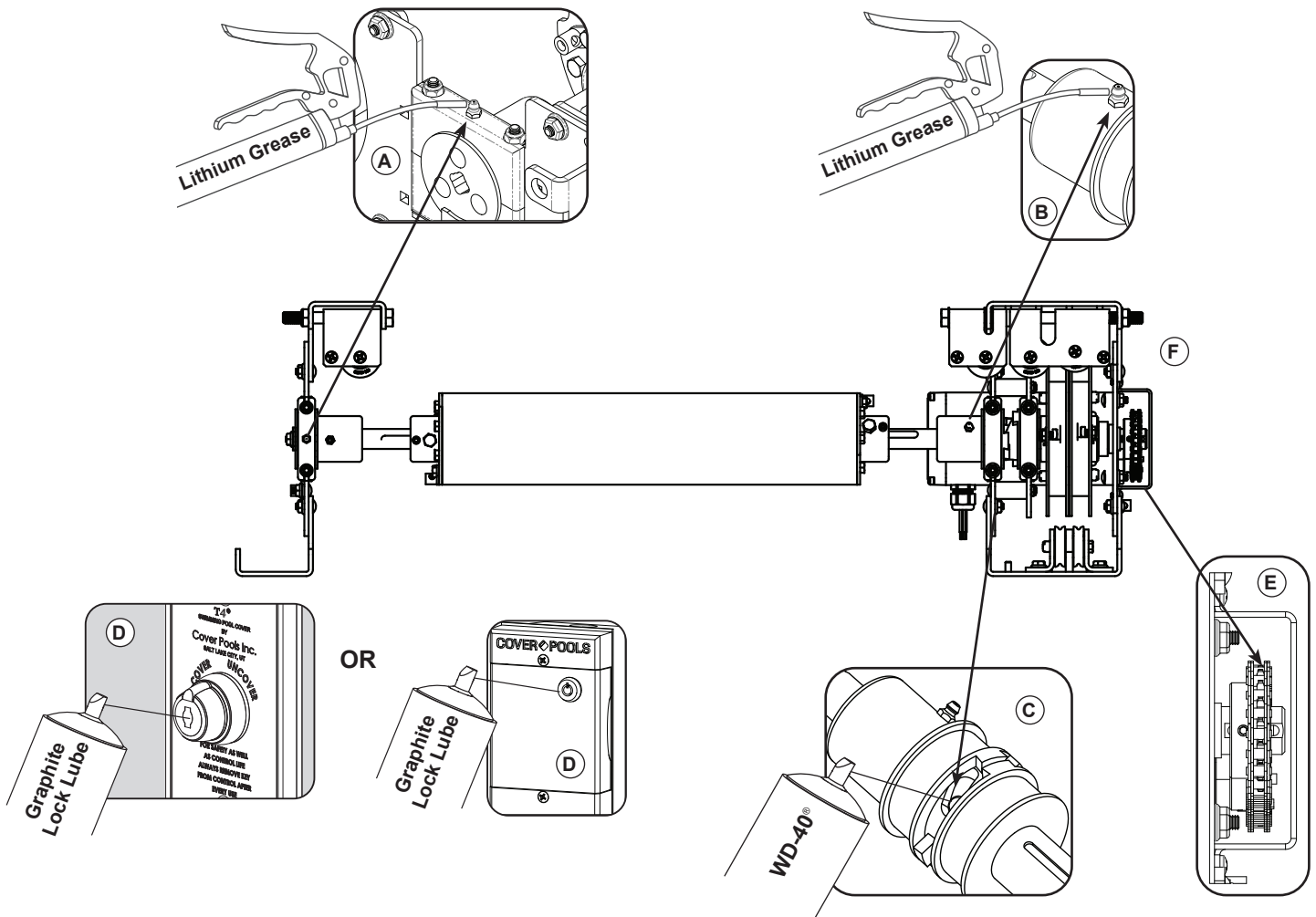
At the end of each track is a pulley. A worn pulley can cause cover adjustment problems and eventually lead to a broken cable/rope. Pulleys usually last about three years. If a pulley in the end of the track causes a noticeable clicking or grinding sound, it is worn. You should contact your local dealer for replacement as soon as possible.

Lubrication

The working life of the mechanism will be enhanced and service problems will be reduced if you follow a regular lubrication schedule. Never over-grease; excessive lubrication will collect dirt and can possibly get on the vinyl cover or webbing. Grease on the vinyl or webbing can cause deterioration. Do not grease or put silicone on the cable/rope, webbing, or tracks; this will cause rapid deterioration of the threads, fabric, and track.

PARTS LUBRICATION REQUIREMENTS

| | Part | Lubrication | Frequency |
|---|-------------------------------|---|------------------|
| A | Opposite End Bearing #130085 | Waterproof lithium type grease (Lubriplate® #1200-2) | Twice per season |
| B | Motor Side End Hub #180981 | Waterproof lithium type grease (Lubriplate® #1200-2) -Note: Cover the pool completely.- | Twice per season |
| C | Double Dog #180992 or #180993 | WD-40®, Motor oil 30w, or similar -Note: Avoid getting lubrication on the bearing surfaces.- | Twice per season |
| D | Key Switch Tumbler | Graphite lock lube | Twice per year |
| E | Chain | WD-40®, Motor oil 30w, or similar | Once per year |
| F | Motor | Does not require lubrication | N/A |
| IMPORTANT: Clean and dry the parts before applying lubrication (e.g. using high-pressure water and/or compressed air). | | | |



FABRIC MAINTENANCE AND CARE

With over 50 years of experience, we have seen well-maintained covers last far beyond expectations. The key to a long-lasting, healthy cover has been proper pool chemical balance and regular care and cleaning of the cover.

Extra Slack in the Fabric

Our customers often question the extra slack in the pool cover. We include slack in our pool covers for the following reasons:

Rain and Snow Loads: The pool cover needs extra slack to handle rain and snow loads.

Fabric Shrinks: The pool cover fabric will shrink between one to two percent, which can equal three to four inches on a 20-foot wide pool cover. Indoor pools may shrink more because they are often heated year-round.

Debris and Obstacles

Sharp Objects: Remove any sharp objects and obstacles before opening the cover. Sharp objects can damage the cover.

Obstacles: Remove any obstacles (toys, dirt, rocks etc.) in the track, on the cover, or in the mechanism housing.

Debris: Remove leaves, water, etc. promptly to prevent residue-buildup on the vinyl. When the cover does become soiled from dirt, organic matter, or undissolved chemicals, clean it.

Cleaning

Rinse: Regularly rinse the cover fabric with a pump in place to remove water and contaminants. Even if the cover does not appear dirty, harmful chemical deposits can accumulate on the fabric and can cause premature fabric failure if the fabric is not rinsed regularly.

Stains: For stains, use a soft bristle brush and scrub the cover with fresh, clean water.

Oils and Stubborn Stains: For oils, such as suntan lotion or stubborn stains that cannot be removed by scrubbing, use a small amount of non-detergent cleanser. **Never use detergents on the vinyl.** One of the most available non-detergent cleaners is **Ivory® bar soap** (not dish-washing liquid). Use the bar soap on a wet cloth and scrub the soiled area. Rinse well with fresh water.

Algae: For algae stains, especially black algae, use a mixture of water and Clorox® bleach. Use one (1) part Clorox to nine (9) parts water. Make sure you use Clorox, not the pool's chlorine. You can apply this solution directly on the algae. Some algicides contain detergent and may damage the cover.

Repair Holes

Use the vinyl patch kit to patch even the smallest holes as soon as they occur. If water penetrates the vinyl and comes in contact with the scrim (the reinforcing thread), the thread will soak up water and carry chemicals and contaminates to the inside of the material. This may lead to stiffening and or delamination of the vinyl. Patching should be done on both sides of the hole in the cover if possible.

Winterizing Your Cover

The cover can support a limited amount of water, snow, and ice. Each gallon of water on the cover weighs eight pounds and even a few inches of rain can quickly result in an excessive weight of water. Without the support of water underneath the cover, tracks may pull off, the cover may tear, or other damage could occur to the pool that may create a hazardous situation. **It is important to maintain the same water level all year.**

Make at least monthly inspections of the water level under the pool cover.

FALL MAINTENANCE: It is important to keep all water pumped off your cover as freezing weather approaches so you can go through the winter with as little weight as possible on the cover. Your pump can be left on the cover through freezing weather. Follow instructions as described in the section "REMOVING WATER ON TOP OF THE COVER" on page 9.

WINTER MAINTENANCE: Inspect the water level in the pool at least once a month and add water if necessary. (One method is to add water via the skimmer.) Note that your water level may appear to be normal if there is ice or snow on the cover. The weight on top of the cover displaces an equal volume of water under the cover and the pool water may be much lower than it appears. Adding water will float the ice or snow on the cover upward, thus relieving stress on the cover. As the ice or snow melts the cover pump will turn on to remove it. Your cover will survive the winter if these procedures are followed.

DRAINAGE: Any drain in the housing should be kept free of debris to allow water to drain freely. The lid covering the housing should always be kept in place to avoid someone stepping into the housing area and to prevent rain from directly entering the housing.

IMPORTANT! If it is not possible to keep your pool full during the winter, then the cover should be left off the pool and other safety precautions should be taken.

CHEMICALS AND YOUR COVER

The pool's chemical program may be significantly different from that of a pool without a cover. With proper use, the cover will substantially reduce chemical loss; therefore, any previous chemical programs may need to be adjusted to maintain proper chemical balance in your covered pool.

Chemical Build-up: You must avoid a build-up in the quantity of chemicals in the pool water that can result in serious damage to pool walls and equipment. Such a build-up may also create an improper water balance which may cause deterioration of the vinyl cover. A deterioration so caused is not covered by the warranty.

To avoid chemical build-up, allow the chemicals to circulate before closing the cover after adding any chemicals to your pool. Test the water at the surface with your test kit to ensure that it is safe to cover.

If it is safe to swim in, it is safe to cover!

High Alkalinity & Chlorine: A high alkalinity or high chlorine level can begin to break down the cover prematurely. Some pH adjusters may create harmful levels of alkalinity (high pH) if they are not allowed to mix with the water before the cover is closed. The same is true with chlorine shocks. Some chlorine shocks require 12-24 hours before returning to swim-safe range.

Cover-Pools Incorporated recommends using a non-chlorine shock because you can close the cover within 30 minutes. Please check with your pool service company for proper usage.

Extended Covering: Before covering the pool for extended periods of time, such as winterizing, make sure the water is balanced. Recheck the water after the chemicals have mixed completely; this may require checking the pool water a day or two later.

When covering the pool for long periods of time, adjust your ozone generators and chemical feeders to an appropriate level for a covered pool. Constant long-term buildup of ozone can damage the fabric.

Inform Others: Please make sure your pool service company or anyone in charge of pool maintenance is aware of this information.

Obtain a good test kit and use it frequently.

Maintain Proper Balance: Common sanitizers (dry or liquid) vary in their pH value. Depending upon the pH value of the specific type of chlorine used, you may use acid, soda ash, and baking soda to maintain proper pH and alkalinity values.

Maintain the following swim-safe levels:

| | | |
|------------------|-------------|-------------------|
| *Chlorine | pH | Alkalinity |
| 1—5 ppm | 7.2—7.8 ppm | 80—120 ppm |

*Sanitizers other than chlorine-based compounds, per manufacturer guidelines.

▲WARNING Never leave an open pool unattended. Instruct anyone you allow to operate your cover about this!

Please have your pool company fill in the following:

| Recommended Chemical Plan |
|----------------------------------|
| Recommended Alkalinity: |
| Recommended Sanitizer Level: |
| Recommended pH: |
| Sanitizer Type: |
| Recommended Salt Level: |
| Shock Frequency: |
| Other Recommendations: |
| |
| |
| |
| |

(Always leave the cover open until the water is back to a safe range for swimming.)

ADJUSTMENTS AND MINOR REPAIR

Service: Some services, such as patching holes, are simple enough that you can do it yourself. Other services are much more complex than they first appear; therefore, we recommend that you leave repairs to your local authorized service technician. Contact your local service company for advice before you undertake any serious service project on your own; call Cover-Pools at 800-447-2838 to find a local service company.

▲WARNING In order to minimize the risk of serious injury, including loss of life, from electrocution or moving mechanical parts, be sure to turn off the power to the cover at the mains circuit breaker. Never adjust the cover or try to perform any other maintenance while the cover is running. Keep hands, clothing, etc., away from the mechanism while operating.

Uneven Cover Retraction

Once your cover is installed it is unlikely that it will require any adjustment. However, it is possible for extreme changes in the cover condition to cause the cover to run unevenly. If your cover is retracting or opening unevenly, call your local service company for assistance.

ADVANCED TROUBLESHOOTING AND REPAIR

Auto-Shutoff Amp Limiter Adjustment

(see your included features on page 1)

▲WARNING Never attempt any adjustment to electrical components without first turning off the circuit breaker providing power to the cover.

The auto-shutoff amp limit board has LED lights to facilitate installation and diagnostics. The board also has an adjustable amp limit feature. The amp limit feature stops the cover by sensing the amperage draw to the motor. If the cover runs into an obstacle or resistance (i.e. water on the cover, dirt or contamination in the tracks, or something damaged on the system) during the cover or uncover cycle, the amp limit feature will sense the additional load and shut off the motor.

If the cover frequently stops during operation, and there is very little or no water on the cover, then call your local cover technician to adjust the amp limiter.

INSPECTION PROCEDURE FOR WEAR AND DETERIORATION

You should thoroughly inspect the components of your automatic cover at least two to three times a year.

Vinyl Cover

The vinyl cover material is constructed with a tough combination of vinyl and a polyester mesh.

Inspect the vinyl: Over the years, depending on your cover's exposure to chemicals, heat, and sun, the vinyl will become brittle and eventually begin to crack. When this occurs the polyester mesh will be exposed and begin to change the capability of your cover to hold weight. Inspection for this kind of deterioration should begin with an examination for leaks. If you have leaks:

1. Patch the hole immediately.
2. Check the area around the hole to see if it has become brittle or stiffer than the rest of the cover. Any change in the feel of the vinyl where it begins to seem brittle or stiff can indicate a problem.
3. If the normal square pattern you see in your cover changes so that the mesh pattern appears to be more pronounced than the other parts of the cover, it could indicate that the vinyl is becoming weak.
4. In areas where your cover is pulled over your deck or coping it is possible to gradually wear the vinyl away from the reinforcing mesh. Once the mesh is exposed it can begin to deteriorate or break. Have the cover repaired immediately.

Inspect the sewing: Inspect the sewing where the vinyl is attached to the webbing (edging) along the side of your cover by your tracks. If any threads are broken or if the webbing has begun to tear or fray, the strength of your cover will be compromised. Have the cover repaired immediately if you notice this problem.

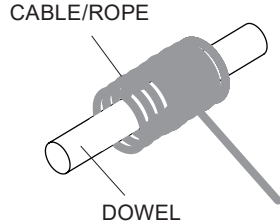
Cover Track

Since your track is the main means of anchoring your cover to your pool, inspection of the fasteners used to hold your track to the pool sides is as important as inspecting the cover. Make sure that all screws are tight and replaced if missing. Some track is contained in a channel with shims. Be sure to replace missing shims. The channel or opening that your webbing slides in can wear over the years. If you feel there is marked difference in any of these items, please contact your pool cover service technician immediately for a detailed inspection.

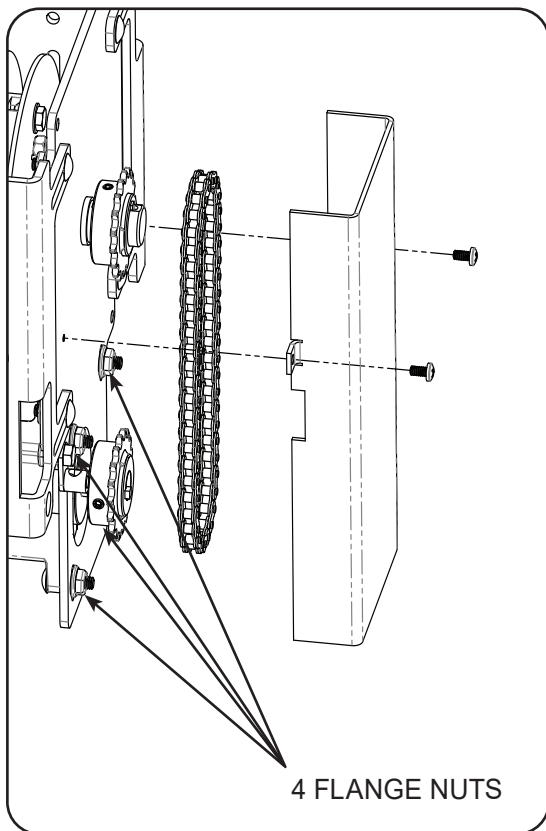
EMERGENCY PROCEDURES

Manually Cover the Pool

This requires two people. Remove the two phillips head screws holding the chain guard in place. Once the chain guard is removed, loosen (do not remove) the four flange nuts holding the motor in place. Once enough slack is introduced to the chain, it can then be removed from the main shaft sprocket so the driveshaft is no longer engaged. This allows the drive shaft to rotate without resistance from the motor. Wrap the cable around a dowel to pull the cable as pictured. Pull on the dowel to remove a few feet of cable from the cable reels.



▲WARNING DO NOT PULL DIRECTLY ON THE CABLE/ROPE. Remove cables/rope equally on either side until the cover is in place. It may be necessary to remove the lid to accomplish this and to unroll some of the fabric manually before pulling it into the track.



Manually Uncover the Pool

This also requires two people and the recessed lid must be removed first. Remove the two phillips head screws holding the chain guard in place. Once the chain guard is removed, loosen (do not remove) the four flange nuts holding the motor in place. Once enough slack is introduced to the chain, it can then be removed from the main shaft sprocket so the driveshaft is no longer engaged. This allows the drive shaft to rotate without resistance from the motor. Slide the cover thru the track toward the roller for a few feet on both sides. Then roll it up by turning the roller by hand. Repeat this procedure until the cover is totally retracted keeping the roll as compact as possible. To reduce any possible drag, loosen both brakes completely. A square hole bearing (#160043) is located on the opposite end of the mechanism; the washer is sized to accept a standard 1/2" drive ratchet socket wrench. Follow the procedure above to disengage the motor and loosen the brakes. Insert the wrench into the washer and use the wrench to reverse the main tube. This will uncover the pool.

▲WARNING It is physically easier to remove the cover using the ratchet wrench than it will be to close the cover. Closing the cover manually requires two strong people. If you are using your cover as a safety barrier, make sure you will be able to close the cover if needed, before you open the cover.

COVERLINK™ WIRELESS CONTROL

Operation And Programming Instructions

The CoverLink wireless control system controls access to operate the pool cover. The CoverLink wireless control uses a Personal Identification Number (PIN) instead of a key. Entering a valid PIN into the control pad allows access to cover and uncover the pool.

COVERLINK WIRELESS CONTROL FEATURES

CoverLink Control Pad and CoverLink Receiver

The CoverLink Control system is factory programmed and ready for use.

The control pad must be mounted in full view of the pool cover.

Control Pad features:

- Up to 3 separate control pads can operate the same pool cover.
- Up to 4 unique four-digit PINs can control access to the pool cover.
- Control pads can be setup in different locations around the pool.
- A master PIN that is stored in memory location 1 (Factory Default Master PIN: 1583).
- Additional PINs can be stored in memory locations 2, 3 and 4.

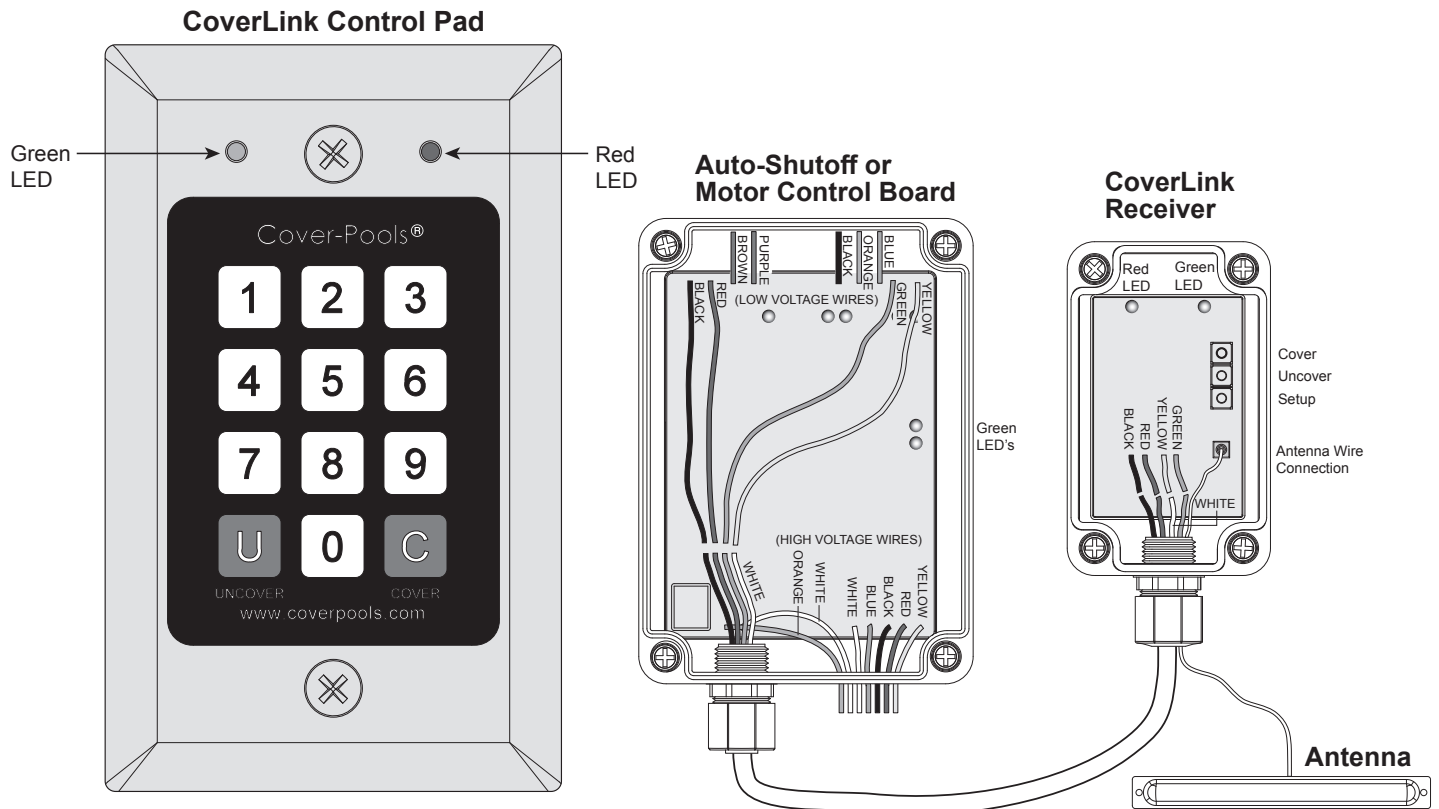
The pool owner should keep a record of PIN to memory location for reference.

- A unique signal that is sent from the control pad and stored by the receiver when linked.
- For multiple control pads, each control pad must be linked to the receiver and set to the same channel number and the same network ID number.

Receiver features:

| | | |
|--------------------|---------------------|-------------------------|
| 3 control buttons: | 32 usable Channels: | 100 Network ID numbers: |
| » Uncover | » 00 - 31 | » 00 - 99 |
| » Cover | | |
| » Setup | | |

Typically the auto-shutoff is located in an enclosure by the pool cover electric motor connected to the Receiver enclosure by a cable. The receiver enclosure is labeled "CoverLink Receiver."



Normal Operation

Normal use: Control Pad

PIN entry controls access to cover and uncover the pool. After entering the PIN, press & hold **C** or **U** within 20 seconds or the system will time out and PIN re-entry will be required.

1. Enter four-digit PIN: **1583** (or valid PIN)

- a. The red LED will flash as each button is pressed.
- b. The green LED will flash if PIN is accepted.

Press & Hold C (Cover) to cover or **U** (Uncover) to uncover the pool.

- c. The green LED will flash while the cover is in motion.

If the PIN is not accepted, the Red LED will be *on* when **C** (Cover) or **U** (Uncover) is pressed; re-enter PIN.

PIN SETUP

Factory Default Master PIN: 1583. The factory default master PIN **CAN** be changed.

The factory default master PIN is stored in memory location 1 on the control pad and can be changed to any four-digit PIN. This master PIN controls access to add, change, or delete PINs, as well as cover or uncover the pool.

Change or Enter New PIN:

To change or enter new PINs, follow this process. Buttons must be pressed within 20 seconds of each other or programming access will time out.

1. Enter 1583 (or current master PIN)

- a. The red LED will flash as each button is pressed.
- b. The green LED will flash if PIN is accepted.

2. Press 1 to enter programming mode.

- a. The red and green LED will turn *on*.

3. Press 1 to enter PIN change mode.

- a. The green LED will flash.

4. Press 1, 2, 3, or 4 to select PIN memory location.

(Remember factory default master PIN is stored in memory location 1, but can be changed).

- a. The red LED will flash.

5. Enter new four-digit PIN.

- a. Both LEDs will flash

6. Enter new PIN again to confirm change.

- a. The red LED will flash.
- b. The green LED will remain on indicating success.
- c. The system is ready after 20 second delay and green LED turns *off*.

Test the new PIN by following NORMAL OPERATION.

Use the table to record your PINs.

PIN Memory Location Record

| Location # | PIN |
|------------|--------|
| 1 | (1583) |
| 2 | |
| 3 | |
| 4 | |

DELETE PIN

To delete a PIN (except the master):

To erase one PIN at a time from the receiver follow this process. Buttons must be pressed within 20 seconds of each other or programming access will time out.

1. **Enter '1583'** (or current master PIN)
 - a. The red LED will flash as each button is pressed.
 - b. The green LED will flash if the PIN is accepted.
2. **Press 1** to enter programming mode.
 - a. The red and green LEDs turn on.
3. **Press 2** to enter PIN delete mode.
 - a. The green LED will flash.
4. **Press (2, 3, or 4)** to delete the PIN from that memory location.
 - a. The green LED will flash.

(If you wish to abort PIN Delete, press 0.)
5. **Press (2, 3, or 4) again** for confirmation.
 - a. The green LED will turn on after a brief delay indicating success.
 - b. The system will be ready after a 20-second delay and the green LED turns off.

To delete all PINs (except the master):

To erase all PINs except the master from the receiver, follow this process. Buttons must be pressed within 20 seconds of each other or programming access will time out.

1. **Enter '1583'** (or current master PIN)
 - a. The red LED will flash as each button is pressed.
 - b. The green LED will flash if the PIN is accepted.
2. **Press 1** to enter programming mode.
 - a. The red and green LEDs will turn on .
3. **Press 3** to enter delete mode for all PINs.
 - a. The red and green LEDs will flash.

(If you wish to abort PIN Delete, press 0.)
4. **Enter the master PIN** to verify delete.
 - a. The green LED will turn on after a brief delay indicating success.
 - b. The system will be ready after a 20-second delay and the green LED turns off.

RECEIVER RESET

Reset receiver to factory default: (See illustration on page 16 for setup button location)

This process may require more than one person if the main power (breaker) is not within reach of the receiver.

To erase the receiver memory, including all linked control pads, follow this process.

•**All control pads must be re-linked to the receiver and PINs re-established.**

(See LINK CONTROL PAD AND RECEIVER on pg. 4 to re-establish link).

1. Turn **power off** for **ten seconds**.
2. **Hold the setup** button down while turning the **power on**.
 - a. The green LED on the receiver will flash briefly indicating the erasure is complete.
 - The Receiver is returned to factory default settings.

Prior to programming the CoverLink™ system, complete the following steps at the auto-shutoff board and CoverLink receiver:

Uncover and cover the pool completely by pushing the buttons on the CoverLink receiver located in the auto-shutoff box as shown in the “CoverLink Receiver” illustration on page 16.

LINK CONTROL PAD AND RECEIVER

This process may require more than one person if the control pad is not within reach of the receiver. Buttons must be pressed within 20 seconds of each other or programming access will time out.

Step 1 Enter Setup Mode:

1. Control Pad: **Press** and **Hold U** (Uncover) and **3** until both LEDs turn on (5 seconds).
2. **Enter 396207** (6 digit Security code)
 - a. Control Pad: Red LED off - Green LED on.

Step 2 Link Radio Signal:

1. Receiver: **Press** and **Hold** the **setup** button.
2. **Press and release 1** on the control pad.
 - a. Control Pad: Green LED will flash once, then remain on indicating link is established.
 - b. Control Pad: If Red LED is *on*, then the link is not established; repeat step 4.
(Press 4 to abort setup)

Step 3 Set Channel Number:

1. **Press 2** to enter Channel mode.
 - a. No LEDs on.
2. **Enter two-digit channel number** (00 - 31). (Example: 01)
 - a. Control Pad: Green LED is *on* if channel is accepted.
 - b. Control Pad: Red LED is *on* if channel is not accepted; repeat steps 5 and 6.

Step 4 Set Network ID Number:

1. **Press 3** to enter network mode.
 - a. No LEDs on.
2. **Enter two-digit network ID number** (00 - 99) (Example: 09).
 - a. Control Pad: Green LED remains *on* if network ID is accepted.
 - b. Control Pad: Red LED remains *on* if network ID is not accepted; repeat steps 7 and 8.

Step 5 End Setup:

1. **Press 0** on the control pad.
 - a. Control Pad: Green LED will flash once if accepted.
Link is complete and system is ready for normal operation.
(See “PIN SETUP” on page 17)
 - b. Control Pad: Red LED will be *on* if link is not accepted, wait 20 seconds and repeat link procedure.

Troubleshooting Guide

| PROBLEM | SOLUTION |
|--|---|
| <p>LEDs on control pad do not light when buttons are pressed.</p> <p>Did not fix problem.</p> | <p>Remove control pad faceplate. Remove batteries from battery holder. Clean battery contacts. Install new batteries in battery holder. Reinstall control pad faceplate.</p> <p>Contact local cover dealer for service.</p> |
| <p>PIN entry does not activate cover mechanism, but red LED on the control pad is <i>on</i> when buttons are pressed.</p> <p>Did not fix problem.</p> <p>Did not fix problem. Power on to auto-shutoff board</p> <p>Did not fix problem.</p> <p>Did not fix problem.</p> | <p>Enter valid PIN. If PIN is valid, Green LED will flash as C (Cover) or U (Uncover) is pressed. If PIN is NOT valid, Red LED will be <i>on</i> as C (Cover) or U (Uncover) is pressed; Re-enter PIN.</p> <p>Verify that power to the auto-shutoff board is on. <i>Typically the auto-shutoff board and receiver are located in separate enclosures by the pool cover electric motor.</i> Power to auto-shutoff board will be on if two green LEDs on the auto-shutoff board are flashing.</p> <p>Turn power off for ten seconds. Turn power on. Enter valid PIN.</p> <p>See RECEIVER RESET instructions. See LINK CONTROL PAD AND RECEIVER instructions.</p> <p>Contact local cover dealer for service.</p> |

EXPLANATION OF CHANNEL AND NETWORK ID

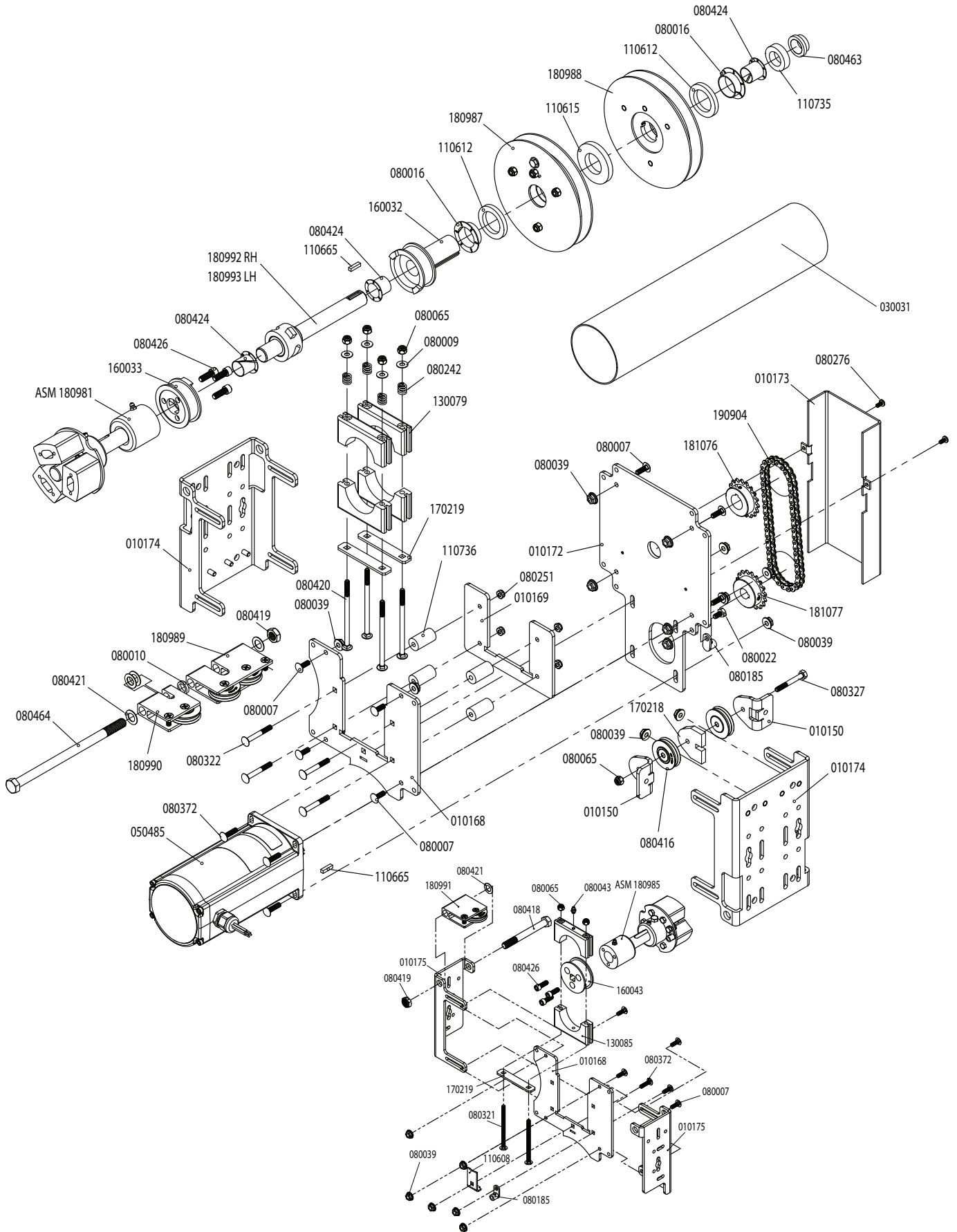
Channel:

The channel controls the frequency at which signals are transmitted. Frequencies range in thirty-two increments between 903MHz (channel 00) to 926MHz (channel 31). Thus, if signal interference is observed during cover operation (intermittent or hesitant cover movement) another interference free channel may be selected.

Network ID:

The network ID allows multiple cover systems (within the same vicinity) to run without interference while being on the same channel. There are one hundred Network IDs (00 to 99). If each cover system is on a different network ID, they will run interference free from one another on the same channel.

PARTS DIAGRAM



FEDERAL AGENCY AND NATIONAL COMPLIANCE LISTINGS

Cover-Pools Incorporated is committed to producing the highest quality pool and spa covers which comply with applicable safety standards. We are your partners in providing a reliable additional layer of safety for your pool or spa.

UNDERWRITERS LABORATORIES INC. LISTING



ASTM (American Society for Testing and Materials)

Designation: F 1346-91 (PSC, MSC, OC)

Cover-Pools products Save-T® cover, Step-Saver® and Auto-Save Spa Covers have been manufactured and are in full compliance with ASTM F 1346-91 Standard Performance Specification for Safety Covers and Labeling Requirements for All Covers for Swimming Pools, Spas and Hot Tubs.

FCC ID: P8G–50306 Save-T Cover Wireless 50305

Note: This equipment has been tested and found to comply with the limits for a Class B digital device, pursuant to Part 15 of the FCC Rules. These limits are designed to provide reasonable protection against harmful interference in a residential installation. This equipment generates, uses and can radiate radio frequency energy and, if not installed and used in accordance with the instructions, may cause harmful interference to radio communications. However, there is no guarantee that interference will not occur in a particular installation. If this equipment does cause harmful interference to radio or television reception, which can be determined by turning the equipment off and on, the user is encouraged to try to correct the interference by one or more of the following measures:

- Reorient or relocate the receiving antenna.
- Increase the separation between the equipment and receiver.
- Connect the equipment into an outlet on a circuit different from that to which the receive is connected.
- Consult the dealer or an experienced radio/TV technician for help.

Note: This equipment has been tested and found to comply with the limits for a Class 1, Class 2, and Class 3 Radio equipment and systems under Title: ETS EN 300 683 : 97 and ETS EN 300 200-1 (RES) (EMC) (SRD) operating on frequencies between 9 kHz and 25 GHz. These limits are designed to provide reasonable protection against harmful interference in a residential installation. This equipment generates, uses and can radiate radio frequency energy and, if not installed and used in accordance with the instructions, may cause harmful interference to radio communications. However, there is no guarantee that interference will not occur in a particular installation. If this equipment does cause harmful interference to radio or television reception, which can be determined by turning the equipment off and on , the user is encouraged to try to correct the interference by one or more of the following measures:

Reorient or relocate the receiving antenna.

Increase the separation between the equipment and receiver.

Connect the equipment into an outlet on a circuit different from that to which the receiver is connected.

If you have any additional questions please contact Cover-Pools at 1-800-447-2838.

